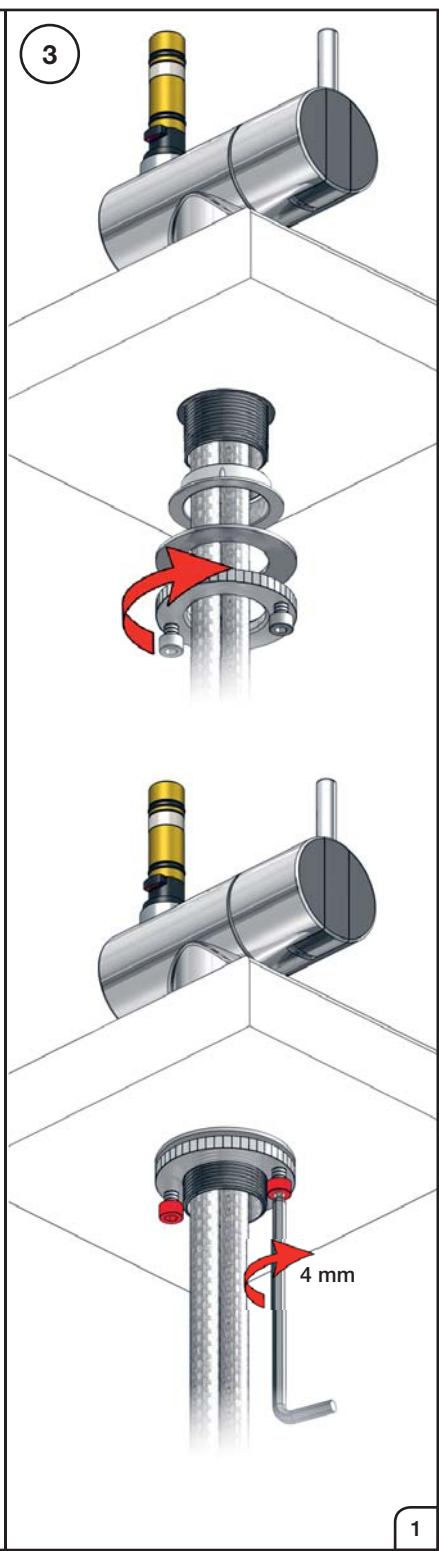
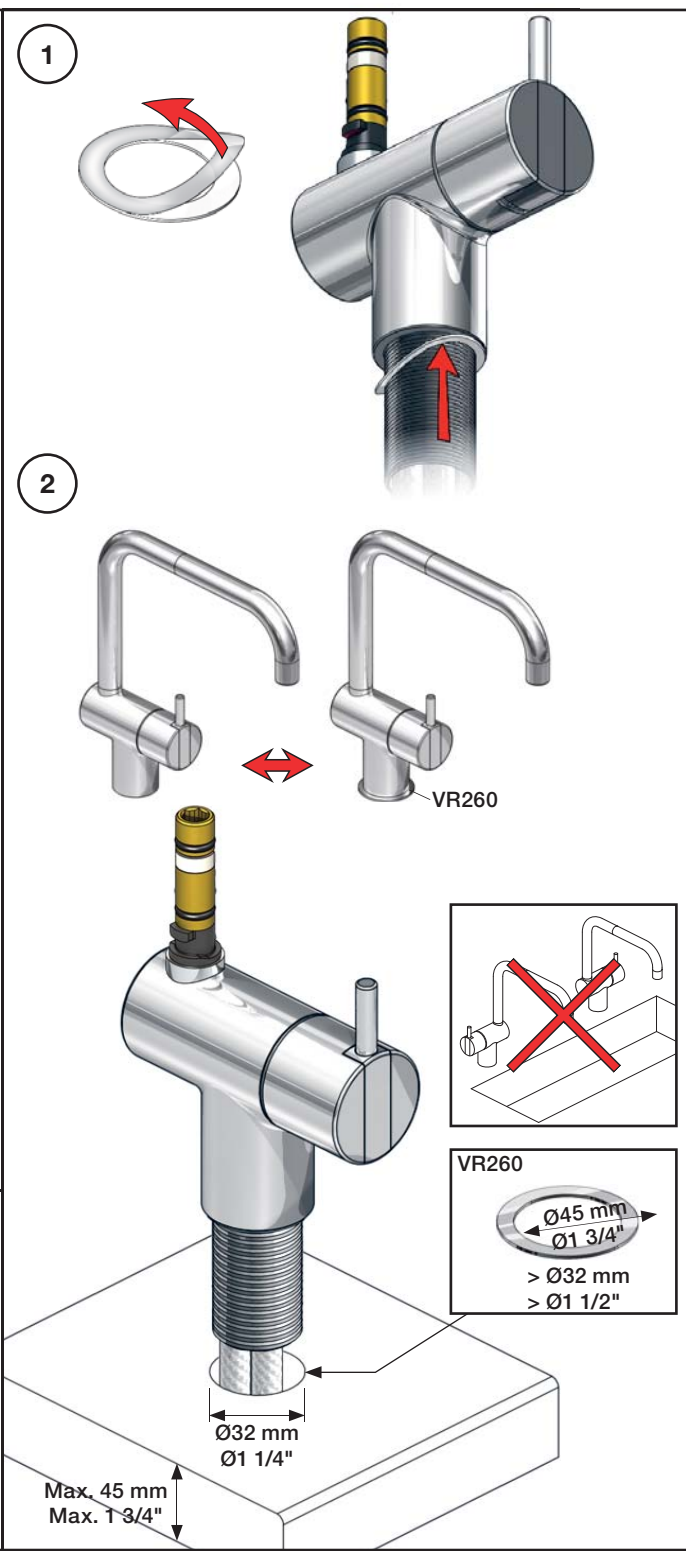
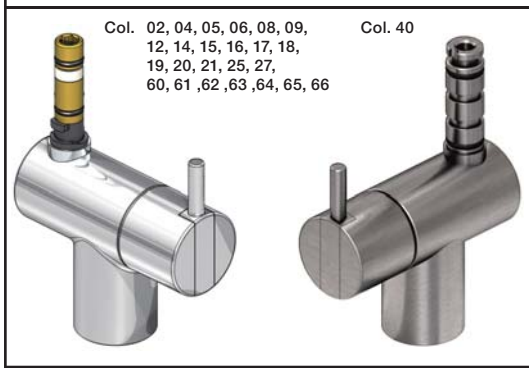
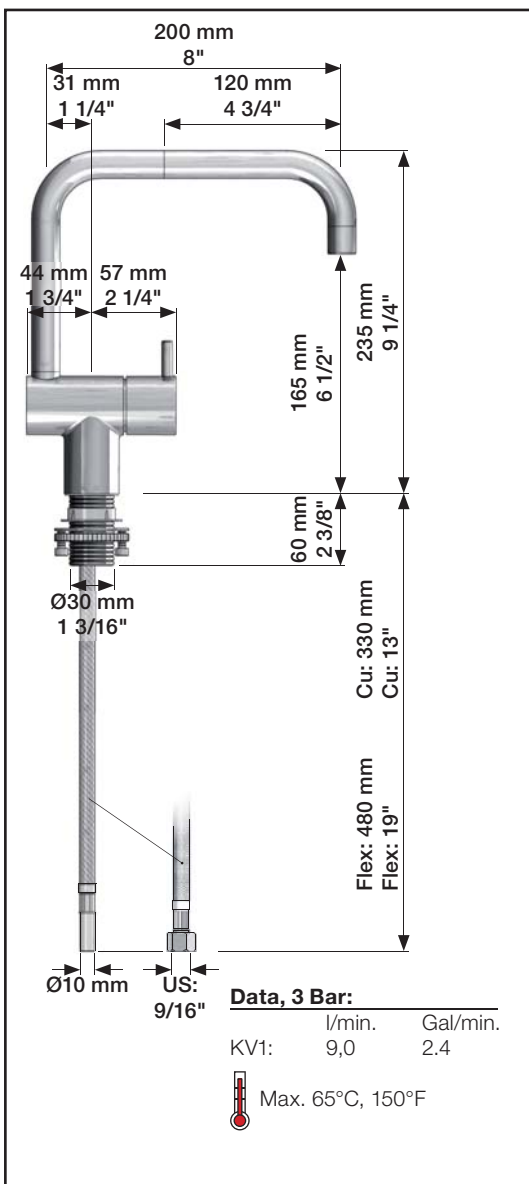
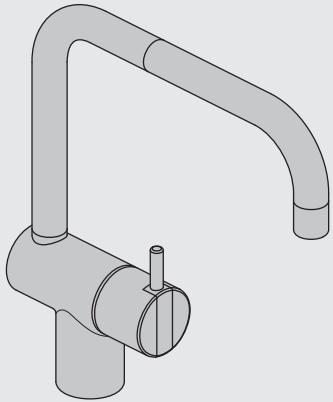


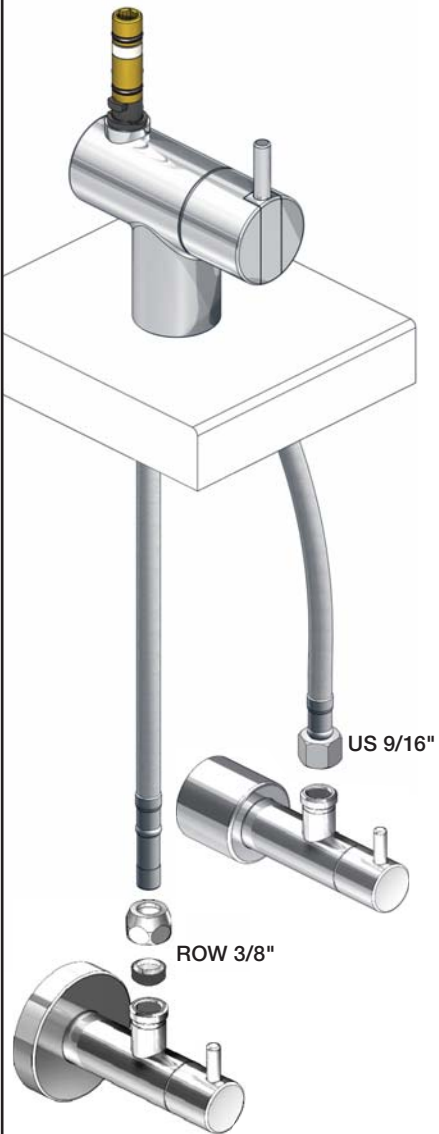
VOLA KV1

Fitting instruction
 Montageanleitung
 Monteringsvejledning
 Monteringsvægledning
 Montage hanleiding
 Manuel de montage

 **GODKENDT
 TIL DRILLEKENDVAND**
 04/00019
 04/00021

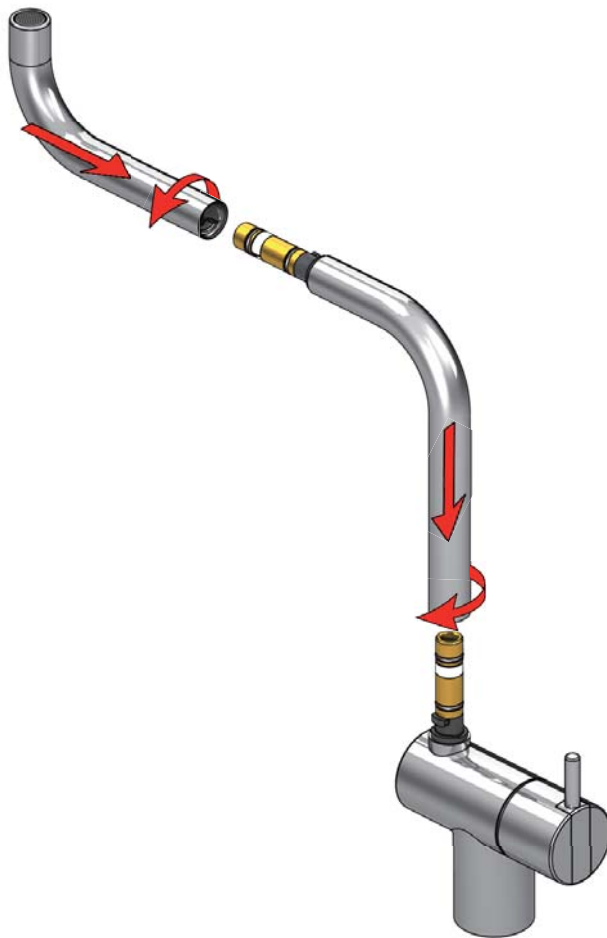


4



5

Col. 02, 04, 05, 06, 08, 09, 12, 14, 15, 16, 17, 18, 19, 20, 21, 25, 27, 60, 61, 62, 63, 64, 65, 66



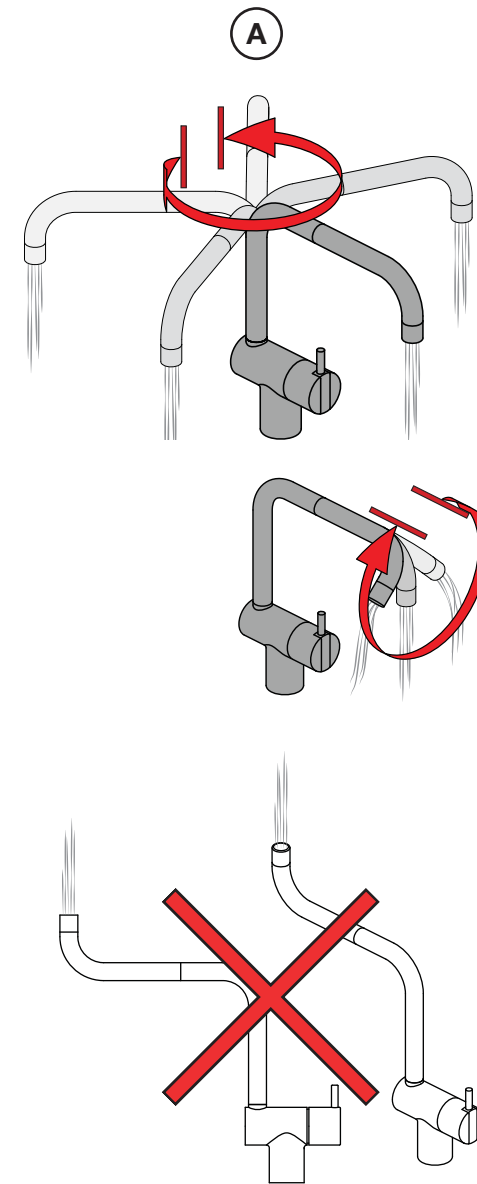
5a

Col. 40

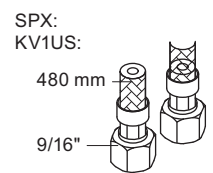
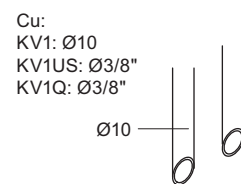
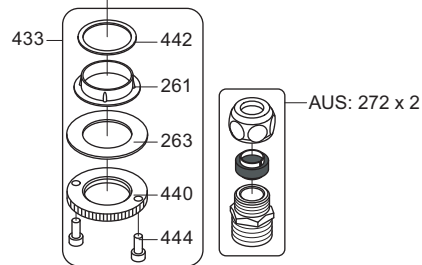
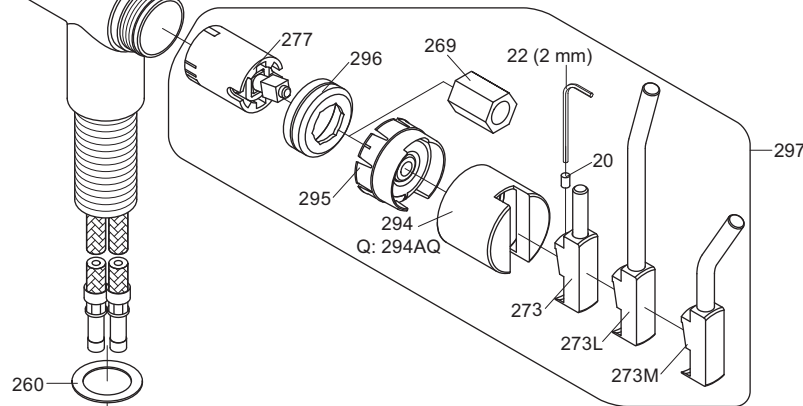
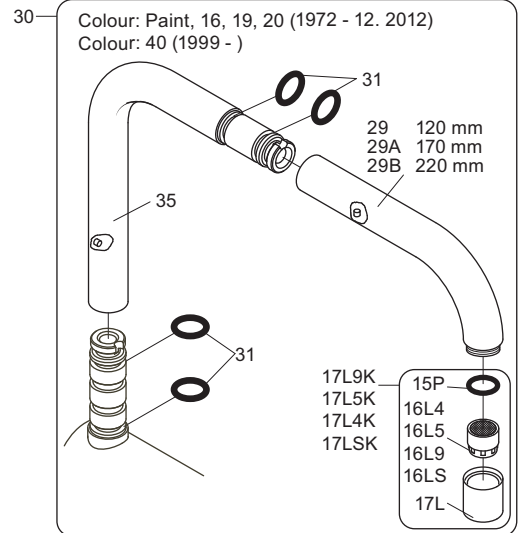
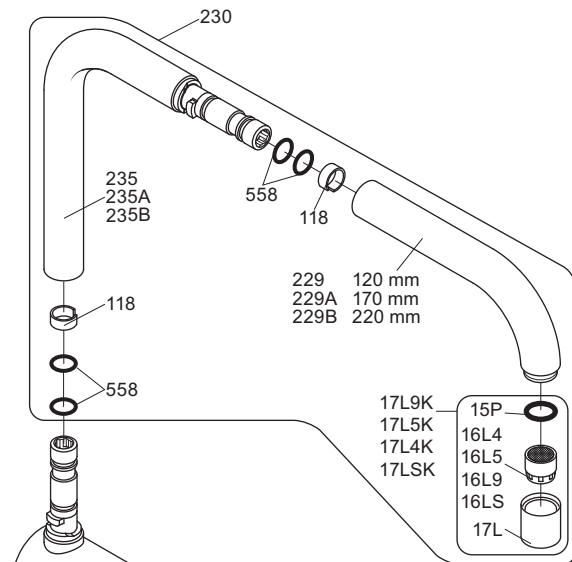


Operation
Bedienung
Betjening

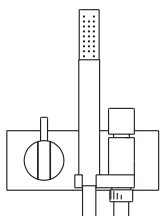
Bruk
Bedienung
Fonctionnement



Colour: paint + 16, 19, 20



- NR.10/L/M: VR20, VR22, VR273/L/M, VR294, VR295
 VR17L4K: VR15P, VR16L4, VR17L (US Standard)
 VR17L5K: VR15P, VR16L5, VR17L
 VR17L9K: VR15P, VR16L9, VR17L
 VR17LSK: VR15P, VR16LS, VR17L
 VR30: VR15P, VR16L9, VR17L, VR29, 4xVR31, VR35, VR1902 (F40 and KV1 from 1972 - 2012)
 VR230: VR15P, VR16L9, VR17L, 2xVR118, VR229, VR235, 4xVR558, VR1902
 VR277K: VR22, VR269, VR277
 VR297/L/M: VR20, VR22, VR269, VR273/L/M, VR277, VR294, VR295, VR296
 VR433: VR261, VR263, VR440, VR442, 2xVR444



VOLA A/S
 Lunavej 2
 DK-8700 Horsens
 Tlf : + 45 7023 5500
 Fax: + 45 7023 5511
 sales@vola.com
 www.vola.com

VOLA KV1

Dato
Okt. 16

Rev.
8

Blad
SB 25.2